



R 250 D

Ball valve

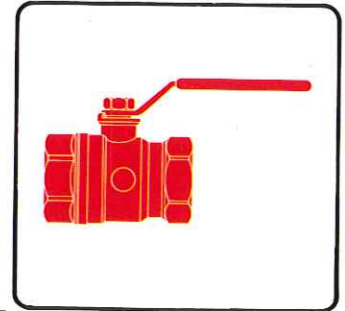
GIACOMINI

Registered Firm BS 5750 Quality System Reg. n° FM 625

GIACOMINI s.p.a. • 28017 S.Maurizio d'Opaglio (Novara) • Tel. 0322-923111 • Fax 0322-96256 • Telex 200035 • www.giacomini.com

**GIACOMINI**BSI • Certificate n° FM 00625
• Amendment to 22-05-1996
ICIM • Certificate n° 0006/2
• 24-07-1996**ISO 9001**

January 1988

Technical communication n° **3208**

R 250D Giacomini ball valve

The R250D lever ball valve has been carefully designed and tested in order to offer a product of high quality, having safety features over and above most other ball valves making it extremely difficult to beat. One particular feature is the assembly of the operating stem. Most ball valves have the stem assembled from the outside (this kind of design is forbidden in many countries, especially if the valve is being used with dangerous fluids such as natural or town gas). For obvious safety reasons the stem of the Giacomini valve is assembled from

the inside of the valve thus protecting it from vandalism or sabotage. The stem is held secure by a special anti-friction washer. It cannot be withdrawn and judging by experiences throughout the world it is a safe and sound precaution recommended when used in domestic premises. The valve has been designed so that loss of pressure is minimal however a graph is available for each size of valve. Developed following full and comprehensive laboratory tests our valves comply with the requirements of international standard institutes.

Features

From 1/4" to 3/4":
— working with water, oil, gas 600 psi (42 kg/cm²)
— working with saturated steam up to 150 psi (10,5 kg/cm²) corresponds a temperature of 185°C.

From 1" and higher dimensions:
— 500 psi (35 kg/cm²) for water, oil, gas
— 150 psi (10,5 kg/cm²) for saturated steam at 185°C.

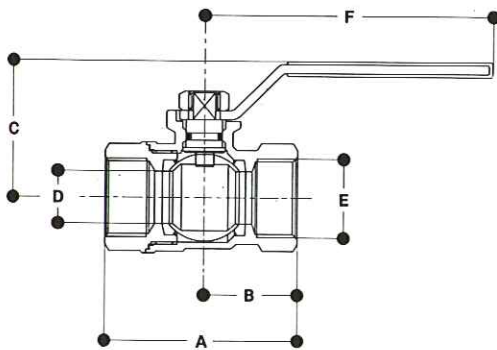
Technical data

The ball valve is in forged brass nickel and chromium plated.
The ball is nickel and chromium

plated after diamond finishing.
All moving metal parts have teflon seals.

Materials

Seal on the spindle: 2 PTFE washers
1 viton O-Ring



Size	Dimensions					
	A	B	C	D	E	F
1/4"	39	19,5	26,1	8	1/4"	44
3/8"	45	22,5	32,5	10	3/8"	77
1/2"	54	27	33,7	12,7	1/2"	78
3/4"	62	31	45,5	17,5	3/4"	96
1"	75	37,5	49,6	22,5	1"	96
1 1/4"	84	42	53,7	28	1 1/4"	96
1 1/2"	93	46,5	57	35	1 1/2"	123
2"	107	53,5	64,5	45	2"	123
2 1/2"	143	71,5	88,3	58	2 1/2"	148
3"	156	78	95,8	68	3"	148
4"	203	101,9	113,3	90	4"	148

Dimensions