



**SUNTRONT TECH**

Stock code: 300259

## FQ Series Prepayment Bulk Gas Meter

*Make Your Smart Life With Us*

<http://www.suntront.com>



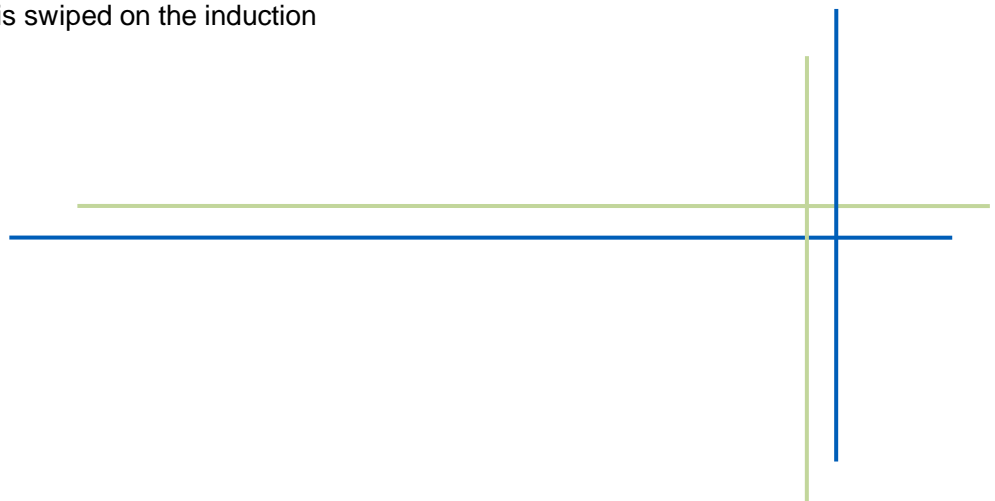


## Special Features

- >> Contactless IC card (RF card) technology, wireless data transmission, to solve the problem of waterproof , moisture-proof and anti-attack.
- >> Micropower consumption technology: adopt timing test technology, the usual power consumption of gas meter is very low, such technique can prolong service life of the batteries.
- >> Electric machine valve: adopt modern electric machine valve, which work reliably and pressure loss is low.
- >> Totally sealed design: all the circuits are sealed by high performance casting glue, so there is no exposed electrode, good leak tightness.
- >> Anti-attack of external electricity and magnetism: If the gas meter is attacked by external electricity and magnetism, it will automatically close valve and give indication.
- >> Micro-computer and micro-storage technique: high integrated and high reliability.

## Main Features

- + Credit transfer, configuration, data feedback for IC card
- + Alarm for batteries removing and lower battery capacity
- + AA alkaline dry battery (4 pieces of 1.5V)
- + LCD display, customer related data scrolls across the screen when IC card is swiped on the induction area of gas meter
- + Network charge or independent vending points
- + Valve status-open/close
- + Lower battery warning
- + Fault codes
- + Multi-tariff (Optional)



## System Configuration



### Smart gas meter system contains four parts:

#### 1. Prepaid Gas Meter

FQ smart gas meter is used for measuring the flow of gas in the pipeline. The smart gas meter has prepaid function, customer shall purchase credits at vending points, the staff will input purchased credits into the IC card, customer swipes the IC card on the induction area of gas meter and then the purchased power will be automatically put into his meter. After gas meter receives the data of purchased power, it will switch on and supply gas power.

#### 2. IC Card

It adopts contactless IC card patent technique and one meter used for only one household. Its components and connecting parts all adopt non-toxic and non-pollution high quality materials, which will resist corrosion from water and air. Internal circuit is sealed by epoxy resin completely, which is waterproof.

#### 3. IC Card Reader-Writer

MRW can work independently, and can also connect with computer by COM interface.

MRW-S shall connect with computer by USB interface which is portable and easy to operate.

#### 4. Smart Management Software

Smart Management Software has friendly interface and is easy to learn and operate. It can support all SUNTRON smart prepaid meters with many functions, such as create file, open account, deal with daily business, sale inquiry, multi inquiry, report summary, read/write card, input/collect data, print bill and check blacklist, etc.

## Benefits

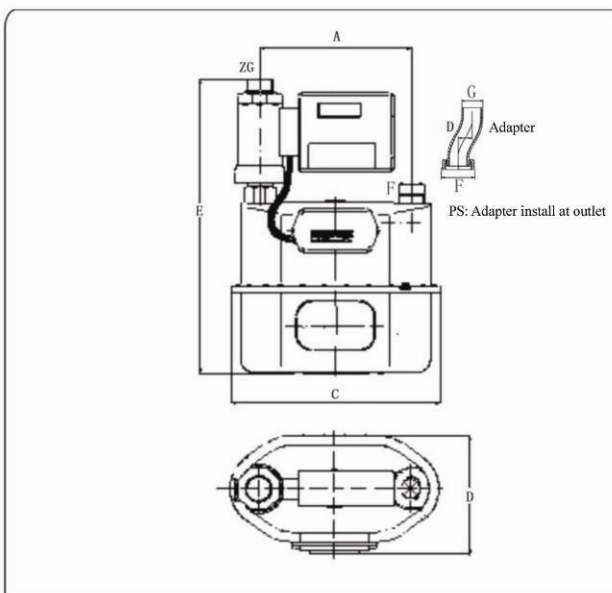
1. Managing SUNTRONT prepaid meters, smart and strong.
2. Creating files of different meters.
3. Convenience for operator to open account, recharge, reissue card, cancel account, replace meter, etc.
4. Collecting consumption records stored by IC card reader-writer and then uploads to computer for backup.
5. Inquiring sale records by daily and monthly or inquiry for any period of time.
6. Summing up total purchased amount and money of different sale regions, meters or times.
7. Automatically backup or recover data.

## Technical Specifications

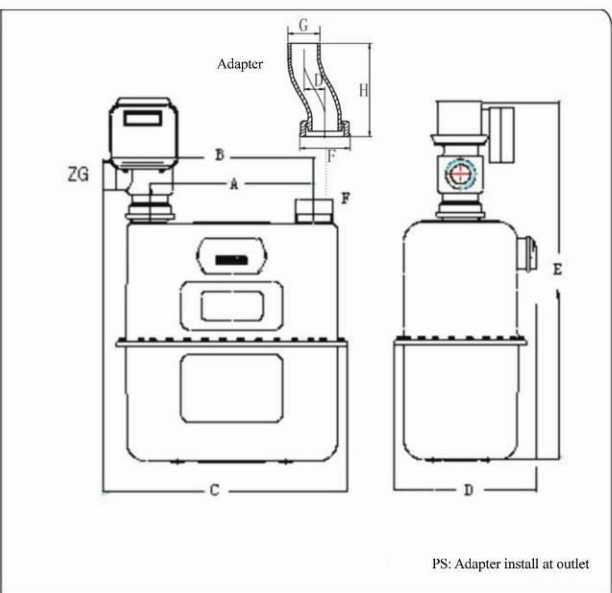
Model	G6	G10	G16	G25	G40	G65
Nominal Flow Rate $q_n$ (m <sup>3</sup> /h)	6	10	16	25	40	65
Maximum Flow Rate $q_{max}$ (m <sup>3</sup> /h)	10	16	25	40	65	100
Minimum Flow Rate $q_{min}$ (m <sup>3</sup> /h)	0.06	0.10	0.16	0.25	0.40	0.65
Demarcation Flow Rate $q_t$ (m <sup>3</sup> /h)	1.0	1.6	2.5	4.0	6.5	10.0
Initiate Flow Rate (dm <sup>3</sup> )	≤5	≤8	≤8	≤13	≤20	≤32
Cyclic Volume of Gas Volume Meter <sup>(1)</sup> dm <sup>3</sup>	3.5	10	10	20	30	55
Weight (kg)	5	10	10	18	27	35
Total Pressure Loss	≤250Pa	≤375Pa				≤500Pa
Minimum Reading	0.002m <sup>3</sup>					
Maximum Reading	999999.99m <sup>3</sup>					
Leak Tightness	No leak when ≤45kPa					
Working Pressure	0.5kPa~30kPa					
Basic Error	$q_{min} \leq q < q_t \leq \pm 3\%$ ; $q_t \leq q \leq q_{max} \leq \pm 1.5\%$					
Measurement Accuracy	Class 1.5					
Working Temperature	-10℃~40℃					
Security of IC Card	one card for one meter, cannot be copied					
Life of IC Card	Use time ≥100,000 times					
Alarming Way	Close valve					
Alarming Volume	The alarming volume will be 1/16 m <sup>3</sup> of the current purchased volume (count the Integer) or 20m <sup>3</sup> , 50m <sup>3</sup> ( Purchasing volume for one time>255 m <sup>3</sup> , the alarming volume will be 50 m <sup>3</sup> )					
Static Working Current	≤20.0μA					
Working Power Supply	AA alkaline dry battery (4 pieces of 1.5V)					

**Note:** Cyclic Volume of Gas Volume Meter means the gas volume that released by the gas meter after the gas meter finishes one working cycle.

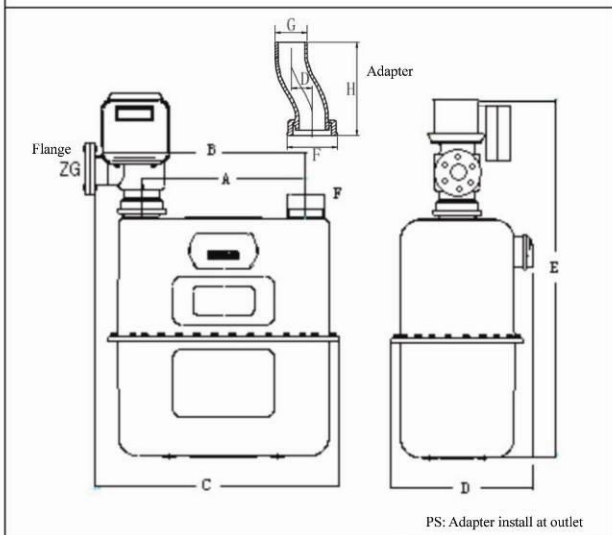
# Dimensions (mm)



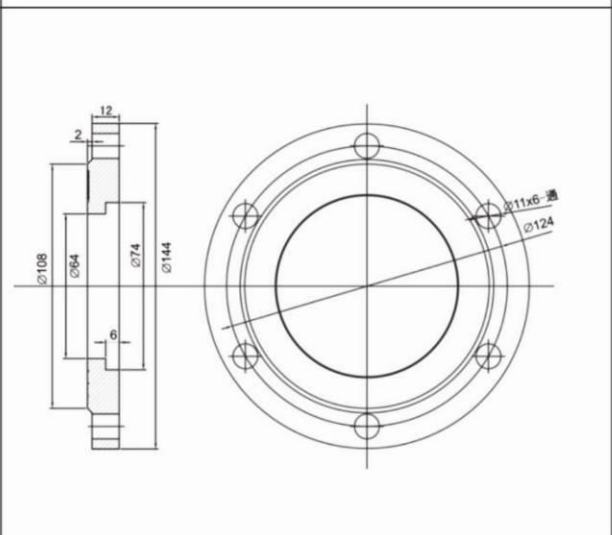
G6.0 Gas Meter



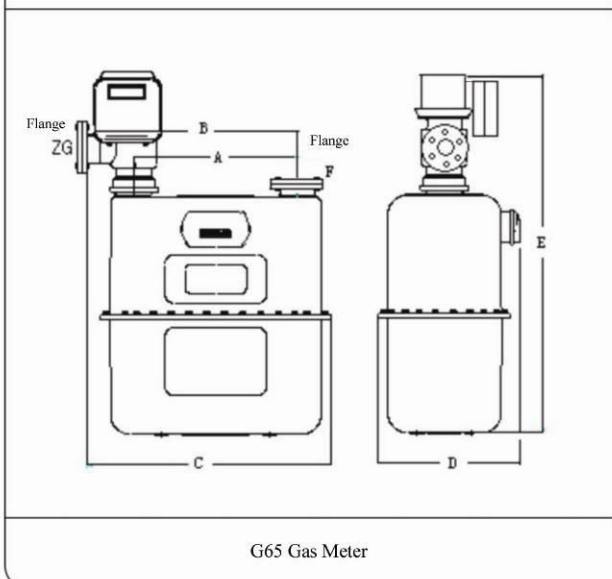
G10-G25 Gas Meter



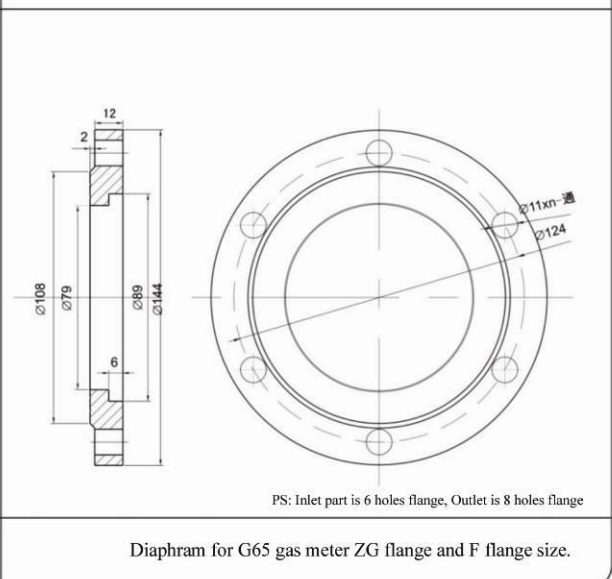
G40 Gas Meter



Diaphragm for G40 gas meter ZG flange size



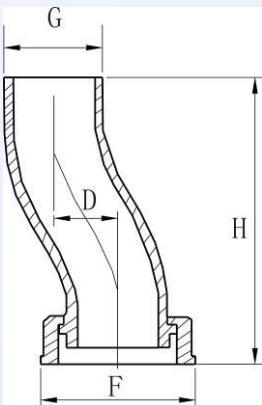
G65 Gas Meter



Diaphragm for G65 gas meter ZG flange and F flange size.

## Adaptor dimension for G6~G40 smart gas meter

Item	Dimension			
	G	H	F	D
G6	R1	83	G1¼	15
G10	R1½	120	G2	30
G16	R1½	120	G2	30
G25	R2	121	G2½	18
G40	R2½	163	G3	57

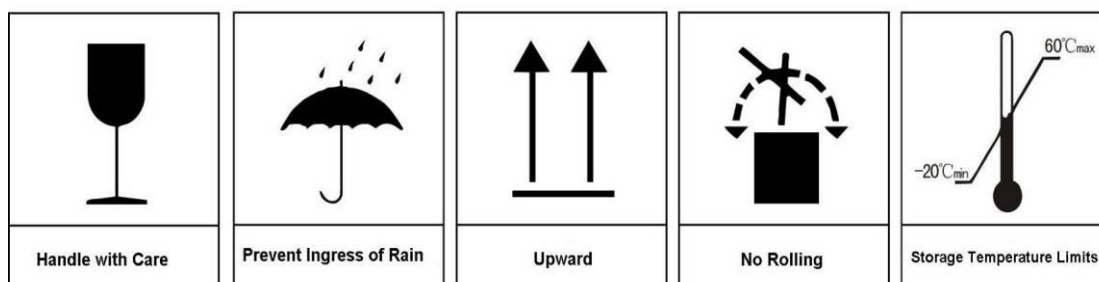


## Dimension of G10~G65 smart gas meter

Item	Dimension (mm)						
	A	B	C	D	E	F	ZG
G6	250	--	345	198	488	G1¼ (external)	G1¼
G10	280	375	440	238	650	G2 (external)	R1½ (external)
G16	280	375	440	238	650	G2 (external)	R1½ (external)
G25	335	430	497	290	746	G2½ (external)	R2 (external)
G40	430	545	636	352	984. 5	G3 (external)	DN65 (Flange)
G65	480	595	720	373	1132	DN80(outlet flange)	DN80 (inlet flange)
Note	Inlet flange and outlet flange for G65 gas meter cannot be changed.						

## TRANSPORTATION AND STORAGE

1. During the transportation, the gas meter cannot be inverted, and should avoid shaking and colliding, avoid water and sundries enter into the gas meter.
2. Gas meter should be stored in a dry and breezy environment where has not corrosive gas, and environment temperature should be -20°C ~ +60°C, relative humidity ≤ 70%RH.



## >> Company Profile

Established in 2000, Suntront Tech Co., Ltd has listed on the stock market on August, 2011, with registered capital of RMB272.448 million. Now, it has rapidly grown up to be one of the largest manufactures of smart meters in China.

Suntront Tech have modernized factories, advanced R&D equipments, systematic and scientific quality control system passed ISO9001, ISO14001, CQC and CE certificate, etc. Presently, the four main series, which cover more than 1000 kinds of products, such as smart water meters/heat meters/gas meters/energy meters are sold at more than 30 provinces and autonomous and exported to Turkey, South Africa, Indonesia, Nigeria, Malaysia, Polynesia, Mozambique, Zambia, Egypt, Mexico, India and other countries.

In 2015, New Suntront Technology Park, with investment of RMB400 million, covers an area of 110,000 m<sup>2</sup> will put into use. Then Suntront will own a world-class R&D Centre, an automatic and mass production base with annual output of 4 million pieces of smart meters and systems.

Depending on advanced enterprise culture, key technologies, excellent product quality, routing management, flexible network service, strong R&D team, we keep our products in line with the latest demands of the market and our passion for new products development keeps us going forward.

We wish to lead the development of local and global smart meter industry by providing the customers with trustable and satisfied service and open up a new horizon of the smart meter industry by expanding its business in the long run.





**Suntront Tech Co., Ltd**

No. 19 Guohuai Street, High & New Tech

Industrial Development Zone, Zhengzhou, Henan, CHINA

Email: [export@suntront.com](mailto:export@suntront.com), [meter@suntront.com](mailto:meter@suntront.com)

Tel: +86-371-67991935 Fax: +86-371-67985228

[www.suntront.net](http://www.suntront.net)